

Motion detector extension unit

Order no.: 8532 01 00

Operating instructions

1. Safety instructions

Electrical equipment must only be installed and assembled by a qualified electrician in accordance with the relevant installation standards, regulations, directives and safety and accident prevention directives of the country.

Failure to comply with these instructions may result in damage to the device, fire or other hazards.

Hazard due to electric shock. Hazard due to electric shock. Do not operate device without application module.

These instructions are an integral component of the product, and must be retained by the end user.

2. Design of the device

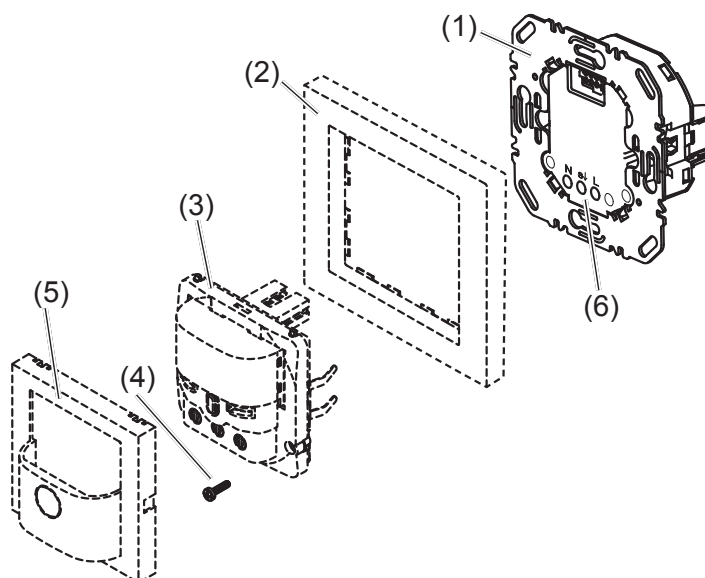


Figure 1: Motion detector extension unit

- (1) Motion detector extension unit
- (2) Frame
- (3) Motion detector application module
- (4) Screw for dismantling protection (not R.1/R.3)
- (5) Motion detector design cover
- (6) Connecting terminals

3. Function

Correct use

- Only suitable for use in indoor areas, no drip or spray water.
- Installation in wall box to DIN 49073
- Operate with suitable application module (see Chapter 6.3, "Accessories")


- Circuit to master insert (relay, switching or dimming insert)
- Simultaneous connection of extension unit push-button NO extension unit contact possible

Product characteristics

- Electronic short circuit and overheating protection

4. Operation

These instructions describe the installation of the motion detector extension unit. The operation of the motion detector application module is described in the instructions of the respective application module.

-  The function of the extension unit is only possible when there is an application module attached to the main unit.

5. Information for electricians

5.1 Assembly and electrical circuiting



DANGER!

Touching live parts can result in an electric shock.

An electric shock can be lethal.

Disconnect the connecting cables before working on the device and cover all live parts in the area!

Circuiting and mounting the motion detector extension unit

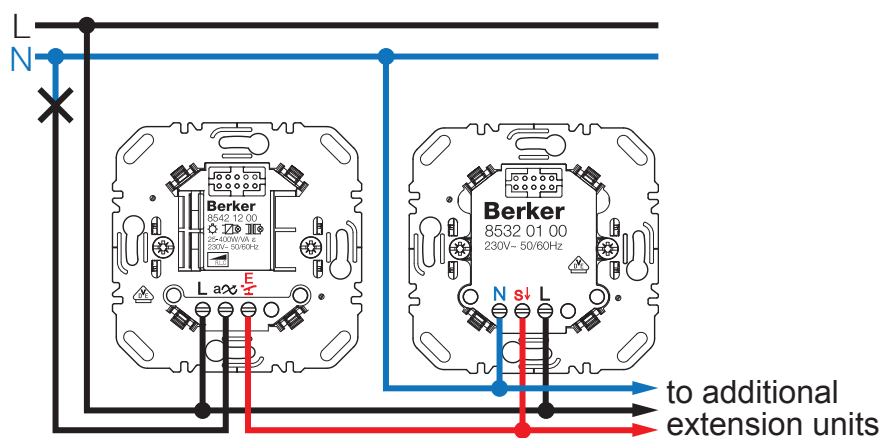


Figure 2: Universal dimming or switch insert with motion detector extension units

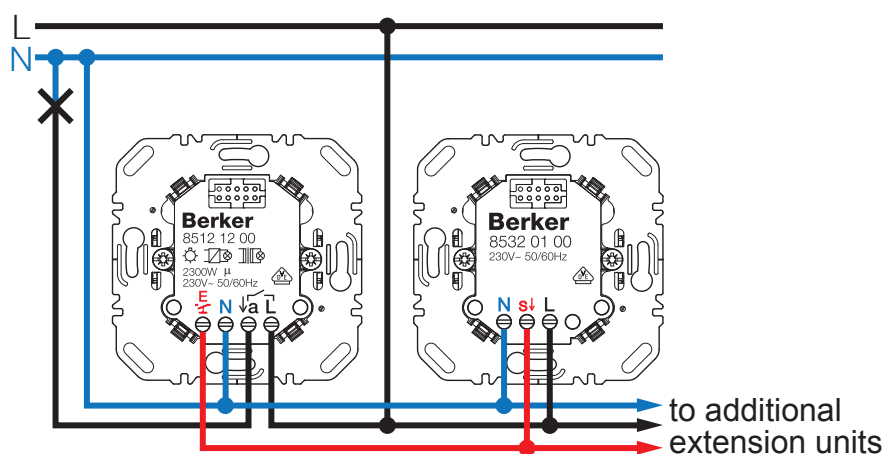


Figure 3: Relay switch insert
with motion detector extension units

A MCB max. 16 A has been installed as device protection.

- Connect the motion detector extension unit according to the circuiting diagram (Figure 2 or 3).
- Mount the motion detector extension unit in a wall box. The connecting terminals must be at the bottom.
- Attach the frame and application module (see instructions for motion detector application module).
- Illuminated mechanical push-buttons which should be combined must be equipped with a separate N-terminal.

6. Appendix

6.1 Technical data

Rated voltage	230 V~, + 10 % /- 15 %
Mains frequency	50/60 Hz
MCB	max. 16 A
Standby power consumption	< 0.3 W
Protection class	IP20
Relative humidity	0 ... 65 % (no condensation)
Ambient temperature	-5°C ... +45°C
Storage/transport temperature	-20°C ... +60°C
Number of motion detector extension units	unlimited
Motion detector extension unit cable length	max. 50 m
Connecting terminal cross section	1 x 4 mm ² or 2 x 2.5 mm ²
Mounting orientation	connecting terminals downwards
Installation depth	32 mm

6.2 Accessories

Motion detector 1.1 m	order no. 8534 11 xx
Motion detector 2.2 m	order no. 8534 21 xx
IR Motion detector comfort 1.1 m	order no. 8534 12 xx
IR Motion detector comfort 2.2 m	order no. 8534 22 xx



6.3 Warranty

We reserve the right to make technical and formal changes to the product in the interest of technical progress.

Our products are under guarantee within the scope of the statutory provisions.

If you have a warranty claim, please contact the point of sale or ship the device postage free with a description of the fault to the appropriate regional representative.

