

## LED unit

Order no.: 1686, 168601, 1687xx

## Installation instructions

### 1 Safety instructions

Electrical equipment must only be installed and assembled by qualified electricians. Always follow the relevant accident prevention regulations.

Failure to comply with these instructions may result in damage to the device, fire or other hazards.

### 2 Structure of the device

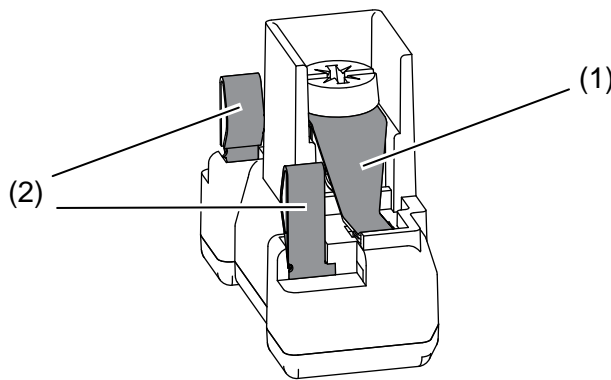


Figure 1

- (1) Contact bridge
- (2) Plug-in contacts

### 3 Function

The LED unit is used for lighting switches and push-buttons.

#### Correct use

The LED unit must be used in

- rocker switches change-over, intermediate, 2pole on/off 10 AX
- rockers switch series
- rocker push-button and rockers push-button

Not useable for

- rockers push-button order no. 5038 08 and group rockers push-button order no. 5034 04
- push-button and pullcord switches, rocker switches and rocker push-buttons from the years 1985 to 1995

## 4 Information for electricians

### 4.1 Assembly and electrical connection



#### **DANGER!**

Touching live parts can result in an electric shock.

An electric shock can lead to death.

Before working on the device or load, disconnect all associated circuit breakers.  
Cover all live parts in the area!

#### Installing LED unit (Figure 2)

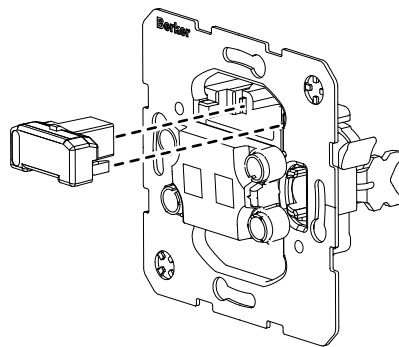


Figure 2

- Insert LED unit with plug-in contacts from the front into the contact sockets and press until it clicks into place.

#### **Wiring cut-off lights up**

The LED unit lights up when "OFF".

The contact bridge is installed.

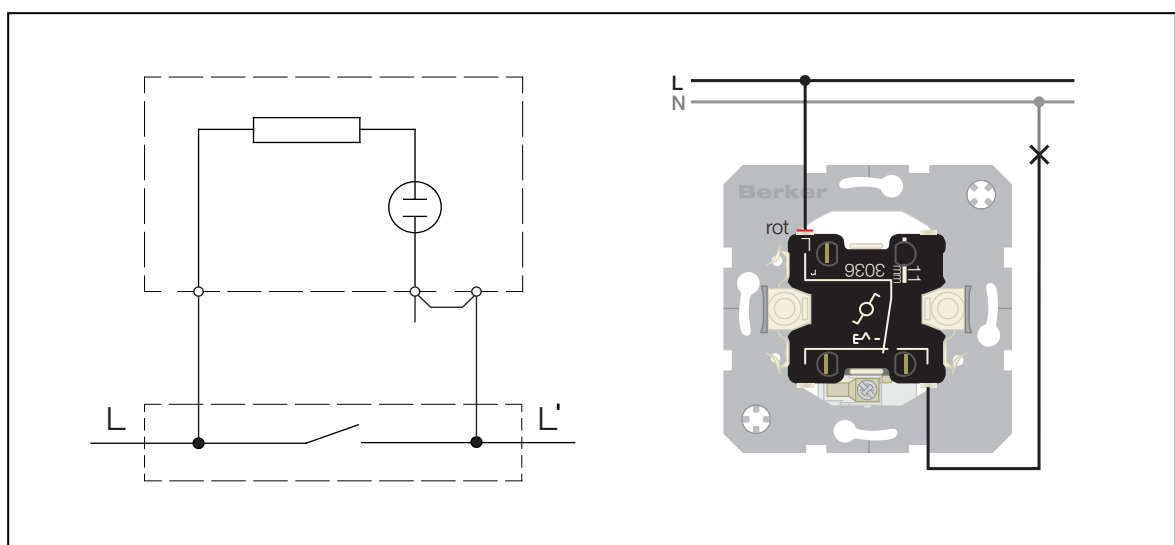


Figure 3

- Connect switch acc. to wiring diagram (Figure 3).

### Wiring cut-off control

The LED unit lights up when "ON".



#### ATTENTION!

**Short circuit by connection of the neutral conductor on installed contact bridge.  
LED unit will be destroyed.**

**Remove contact bridge before connecting the neutral conductor.**

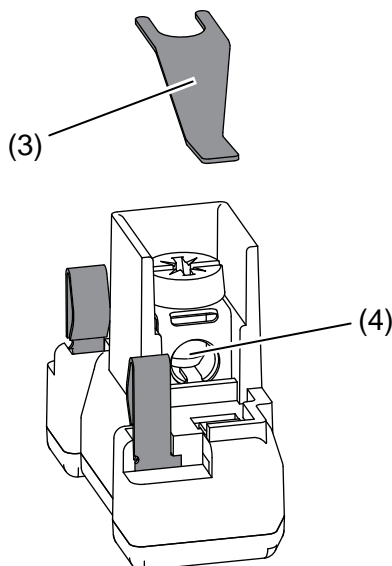


Figure 4

- Removing the contact bridge (Figure 4, 3).
- i Behind the contact bridge is the screw terminal for connecting the neutral conductor (Figure 4, 4).

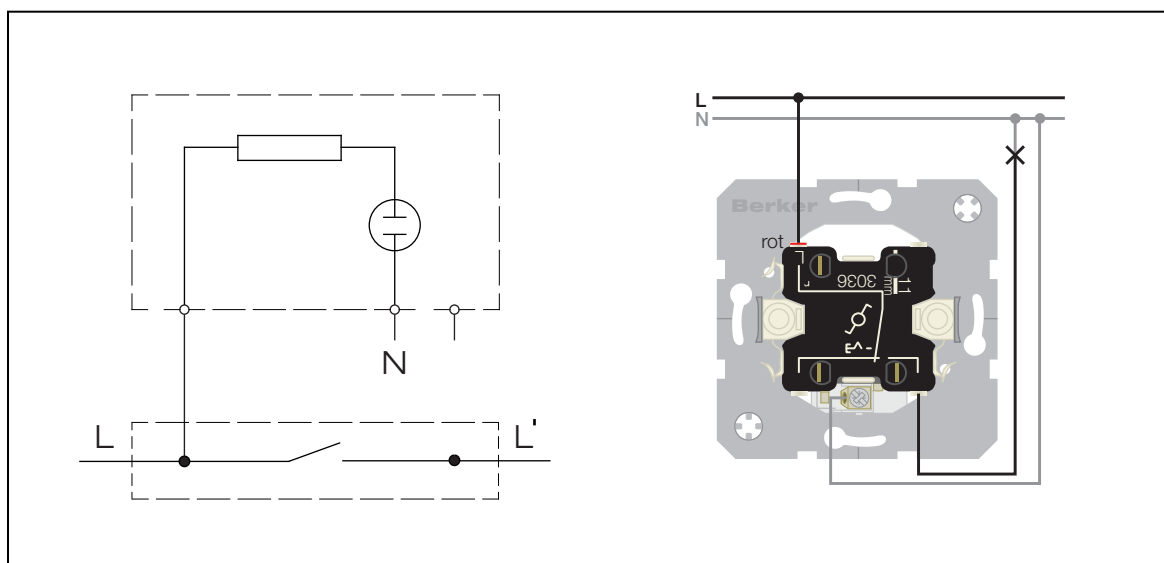


Figure 5

- Connect switch acc. to wiring diagram (Figure 5).

## 5 Appendix

### 5.1 Specifications

LED unit	1686	168601	1687xx
Operating voltage	230 V~	230 V~	12 ... 48 V=
Rated current	1 mA	0.4 mA	0.2 ... 0.9 mA

### 5.2 Troubleshooting

#### Short-circuit when switching on the power supply on cut-off control

Cause: Contact bridge was not removed before connecting the neutral conductor.  
LED unit is damaged and must be replaced.

### 5.3 Warranty

We reserve the right to make technical and formal changes to the product in the interest of technical progress.

Our products are under guarantee within the scope of the statutory provisions.

If you have a warranty claim, please contact the point of sale or ship the device postage free with a description of the fault to our Service Center.

#### **Berker GmbH & Co. KG**

Service Center

Hubertusstraße 17

D-57482 Wenden-Ottfingen

Telefon: 0 23 55 / 90 5-0

Telefax: 0 23 55 / 90 5-111

#### **Berker GmbH & Co. KG**

Klagebach 38

58579 Schalksmühle/Germany

Phone: + 49 (0) 23 55/90 5-0

Fax: + 49 (0) 23 55/90 5-111

[www.berker.com](http://www.berker.com)