

PRODUCT INFORMATION
USB CHARGING SOCKET



UNIVERSAL CONNECTION

Until now every mobile phone, PDA, iPod, digital camera and handheld game console has needed its own charging cable, generally with a cumbersome plug power supply. But not any more, thanks to Berker's innovative USB charging socket.

It is the ideal all-in-one solution for recharging all mobile device batteries that can be charged via a USB connection¹. Just plug your device into the socket using a USB cable and charging starts automatically.

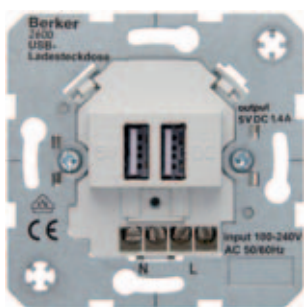
The socket can be integrated easily into existing flush-mounted installations and can be connected e.g. in place of a SCHUKO socket outlet. Additional terminals for through-wiring simplify installation considerably.

The Berker USB charging socket is also very energy-efficient and has two USB connectors to allow two mobile devices to be charged at once. The two flush-mounted inserts in colour variants polar white and anthracite can be covered with a TAE centre plate from the customer's desired Berker design line and completed with a frame in the usual way.

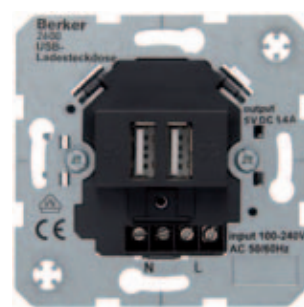
Already almost all mobile phones come with a standard Micro-USB connector. In future, more and more smart-phones, navigation systems, MP3 players and other mobile devices will also have a USB connection.

This means Berker's USB charging socket is ideal for preparing offices and homes for the future – today!

USB CHARGING SOCKET – AVAILABLE VERSIONS



Colour: polar white, matt
Order no.: 2600 09



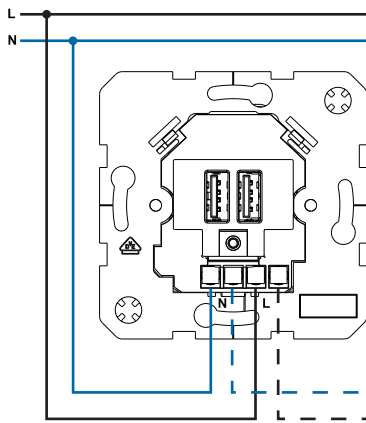
Colour: anthracite, matt
Order no.: 2600 05

¹Notice the informations of the device manufacturers!

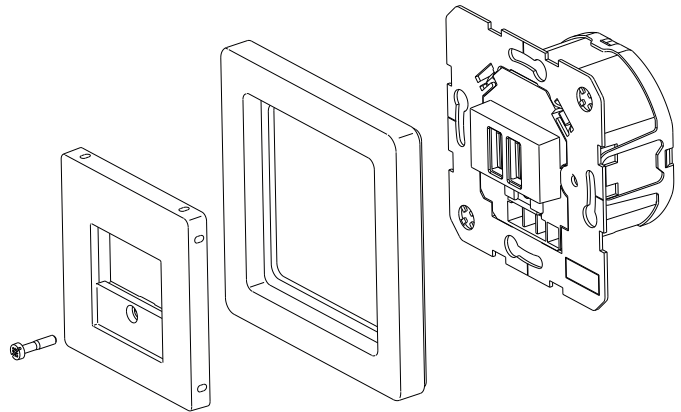
IN DETAIL

- Simple integration into existing electrical installations
- Flush-mounting in switch box according to DIN 49073
- Easy through-wiring thanks to additional L and N screw terminal
- Wide-range input voltage from 100 to 240 V for international use
- Two USB sockets for simultaneous charging of two mobile devices
- 5 V output voltage with an output current of 1 A, if one device is connected, or a total output current of 1.4 A, if two devices are connected
- Short-circuit and overload proof
- Low standby consumption
- Suitable for indoor installation only
- Suitable for charging mobile devices only

CONVENIENT WIRING



EASY INSTALLATION



CENTRE PLATE FOR TAE SOCKET OUTLET



DESIGNLINIE
MODUL 2
BERKER S.1/B.1/B.3/B.7
BERKER Q.1
BERKER K.1/K.5
BERKER ARSYS²

TAE
ORDER NO.
1033 0..
1033 89 1..
1033 60 89
1035 70..
1035 0..

TECHNICAL DATA

Input voltage	100 ... 240 V~, 50/60 Hz
Output voltage	5 V= (±5 %)
Output current	1 A per socket, if 2 devices are connected, total 1.4 A
USB sockets	2.0 type A
Power consumption in standby	approx. 75 mW
Ambient temperature	-5 ... +40 °C
Wire cross-section	max. 2.5 mm ²
Connection type	Screw terminals

²Also available with labelling field.

BERKER - THE RIGHT WAY

Berker is on the one hand a German family-run concern with a strong sense of tradition, and on the other hand an international approved design brand. Based in Germany's Sauerland region, since 1919 we have been manufacturing switches and systems to timeless quality and design standards. For this, our products have won many prizes over the years, and today can be found in some of the most exciting buildings in the world. Perhaps in yours soon, too.



BERKER GMBH & CO. KG
KLAGEBACH 38, 58579 SCHALKSMÜHLE/GERMANY
TELEPHONE +49 (0) 23 55/9 05-0, TELEFAX + 49 (0) 23 55/9 05-1 05
EXPORT@BERKER.COM

WWW.BERKER.COM