



Berker the right way.

THE HOUSE CONTROL WITH AN E-MAIL CONNECTION

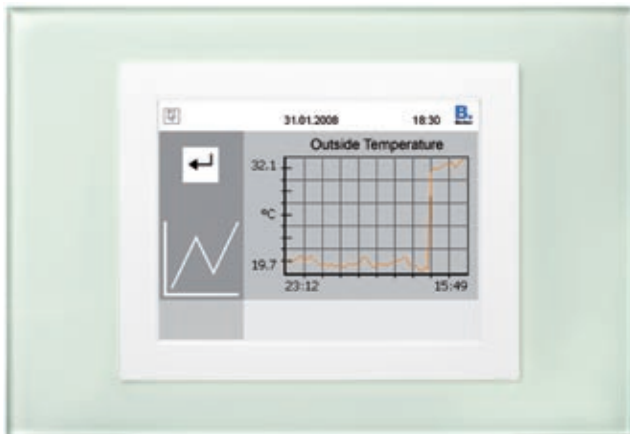
EXTREMELY CONVENIENT OPERATION

In a short period the mini tableau MT 701 ct from Berker has developed into a genuine bestseller as a master control for KNX/EIB functions. Now the shapely touch panel has been given a new name and new functions: The **Berker Master Control** can now be used not only to control lighting, shutters, heating and air conditioning, but also to receive and read e-mails and news feeds.

The high-resolution TFT-display, designed as a colour Touch-Screen, provides the necessary overview, and offers enough space for all of the functional operating elements or for displaying information. Just a light touch on the sensor surface, or lightly gliding your finger over a key field on the display is enough to activate the underlying function or to display the data for the connected devices. It is possible this way to trigger room-related functions, for instance to control light sources or the heating and air condition system. If central devices or sensors have already been installed in a KNX/EIB system, then they can also be integrated into this control concept. For example, measurement data from a weather station can be visualised, or predefined e-mails can be sent from the integrated alarm system.

Controlling building functions conveniently from a single location, or calling up information quickly and easily – the Berker Master Control has developed into a real communication centre for important information inside and outside the house.

ELEGANT, UNOBTRUSIVE DESIGN



Master Control, polar white
Cover, glass, polar white

Order No.: 7574 00 12
Order No.: 7594 01 01



Master Control, anthracite
Cover frame, stainless steel

Order No.: 7574 00 13
Order No.: 7594 01 03

INNOVATIVE AND VERSATILE

AN EXTENSIVE RANGE OF FUNCTIONS

The master control can be configured for the operation of practically any building function that is controlled using intelligent management systems, as well as for the visualisation of measurements and status information. Additionally, there is an RJ45 connection available now for various network functions.

INFORMATION

- Calling up and displaying e-mails and reading the text contents
- Sending predefined emails such as fault messages or alarm messages
- Displaying up to eight RSS feeds such as current news, weather data or sports reports
- Remote-access to a PC-monitor of the user interface via a network at 1:1 transmission so that the parametered functions can be operated remotely
- Recording and depiction of measuring points by means of data logger (e. g. as temperature or energy consumption curve)

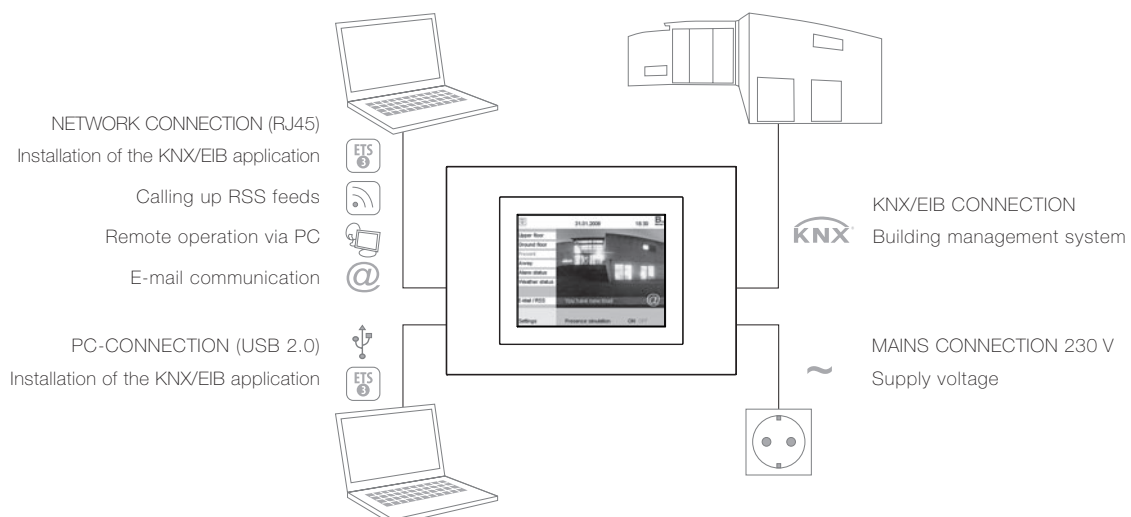
SECURITY

- Integrated alarm system for monitoring of windows, doors and interiors via appropriate sensors
- Presence simulation reproduces previously recorded typical daily activities thus creating the impression that the house is always occupied in the event of absence
- Random function for variation of the switching times

COMFORT

- Astro function for electronic control based on sunrise/sunset
- Page view in the display with KNX/EIB object via an external control section – for example with a push-button
- Quick setting of the switching times possible directly in the programming software
- Automatic scaling of background images

CONNECTION POSSIBILITIES



TRIED AND TESTED FUNCTIONS

- Switching, dimming, shutters and heating/ventilation/air conditioning (HVAC)
- Storage and retrieval of up to 24 light scenes with up to 32 outputs each
- Selection of the operating mode for heating/air conditioning (comfort, standby, night, frost/heat protection)
- Triggering of functions by the week time switch with 16 channels with 8 switching times each
- Acoustic messages with an integrated piezo buzzer
- Configuration of up to 80 logic operations

OPERATION WITH INDIVIDUAL CHARACTER

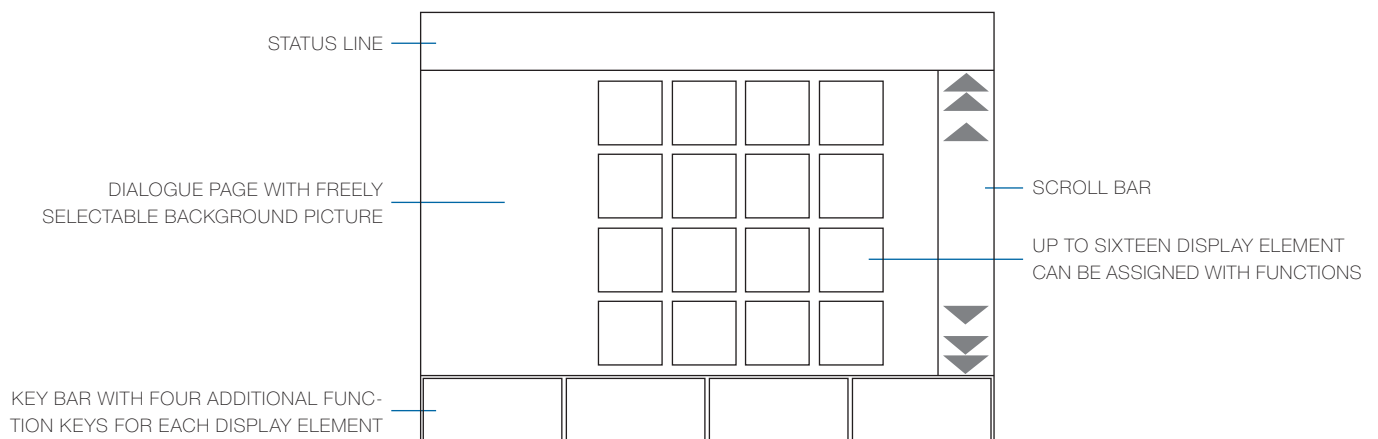
OPEN CONTROL CONCEPT

The control concept has deliberately been left open, thus providing tremendous scope for individual wishes and creative design ideas. For instance, together with the customer you can develop a custom-tailored control architecture. Alternatively, Berker provides a base project which is available online that can be adapted to suit the customers' needs.

Up to fifty freely combinable dialogue pages are available; these can be used to design a menu structure that will enable the user to move about the house digitally more or less the same way he is accustomed to. Each page can be configured individually, for example with the floor plan of the house, or a photo-realistic background of the room in question. On each page, up to sixteen display elements (buttons) can be positioned and assigned with functions in practically any desired manner. If required, each of these display elements can be given four additional function keys in the bottom line of the display.

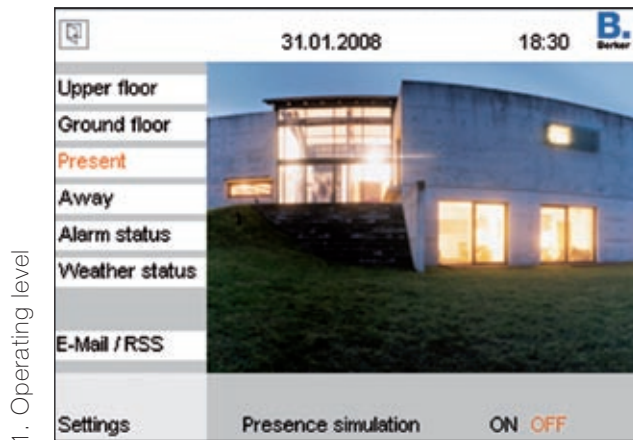
The conceptual possibilities are rounded off by the following features:

- Status indications in the top line of the display, such as fault message in the form of text or symbols, measured values and date/time
- Scroll bar at the right-hand edge of the display for scrolling the dialogue page vertically
- Password-protected access control for each dialogue page with different access rights
- The use of images/symbols as background in the display elements for intuitive operation
- West European, East European, Greek and Cyrillic character sets
- Separate setting of language (Codepage) and font per dialogue page so that several languages can be reproduced in one device



MOVING ABOUT THE BUILDING DIGITALLY

THESE EXCERPTS FROM A PROJECT RECOMMENDATION SHOW CONTROL SEQUENCES FOR A CONCEPT ...



BUILDING

- Master functions
- Navigation elements

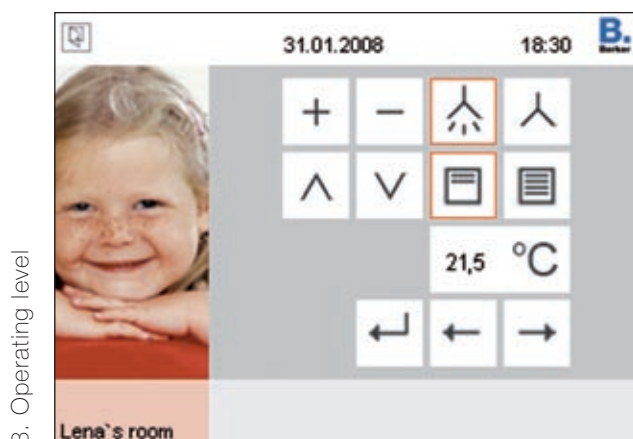
An intuitive introduction to building navigation and information management via the start page. The room overviews for the various floors of the building are selected directly using the control elements in the menu bar. What is more, this page can be used to activate master functions such as the presence simulation, which makes it appear as if the residents are at home even when they are away, or the "Present" settings defined as the standard. The orange-coloured lettering indicates the specific functions that are active.



FLOOR (upper floor)

- Master OFF function
- Graphical status display
- Navigation elements

The overview for the upper floor with representative image for each room. All of the rooms on the upper floor can be accessed from here directly. If functions are active in a room, then the corresponding image is shown with an orange border. In addition to the master function, which can be used to switch off all of the loads on the floor, this page also has key fields for navigation to the operating levels.



ROOM (Lena's room)

- Room functions (facilities)
- Graphic status display
- Navigation elements

The room functions are depicted by means of symbols. The photograph is an indication that it is now possible to activate the facilities in Lena's room. The lighting can be dimmed here, the shutters can be activated and the room temperature can be read and changed. The navigation elements for the other operating levels have been provided here again as standard.

The entire project including explanations is available at <http://www.berker.com/software-knx> as **Master Control service package** for downloading.

CALLING UP CENTRAL INFORMATION

... CONCEPT STRUCTURED IN OPERATING LEVELS, THAT RELIES STRONGLY ON SYMBOLS AND IMAGES.

1. Operating level



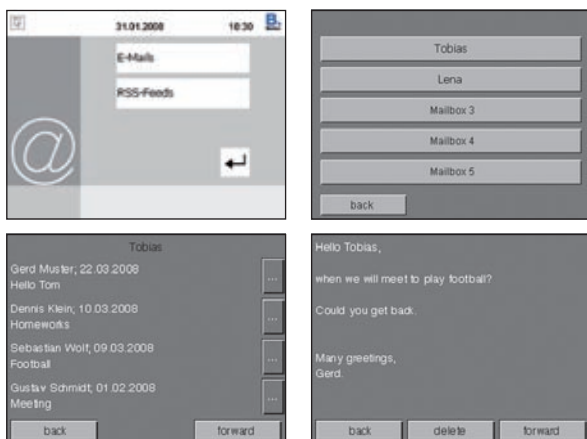
BUILDING

- Status displays
- Information displays, messages

The central access to information.

From the start page it is also possible to call up directly the status displays for alarm states and weather data, as well as the page where the system settings can be modified. The predefined message "You have new e-mail" informs you about the receipt of an email whose contents can be called up. The status line displays date, time as well as malfunction messages by means of an icon (here: window open).

2.-5. Operating level



E-MAIL AND RSS FEEDS

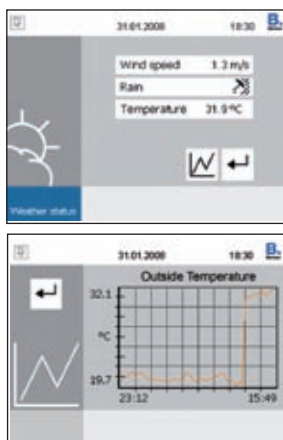
- Information displays, messages
- Navigation elements

The comfortable calling up of online-information.

After calling up the e-mail, the user must select and might have to enter a password. The associated mailbox is displayed and desired e-mail opened and read.

The calling up of news via subscribed RSS feeds can be integrated in a similar manner so that the interesting news is displayed with a graphic and text after selecting the concrete news service.

2.-3. Operating level



STATUS (weather-status)

- Status displays
- Information displays
- Navigation elements

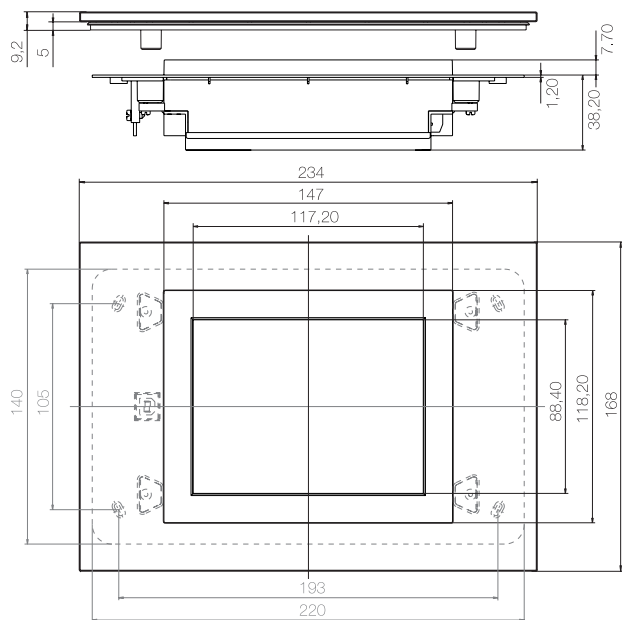
Displaying and recording weather data.

The weather status documents the current data measured by weather sensors such as outside temperature, wind speed or rain detection.

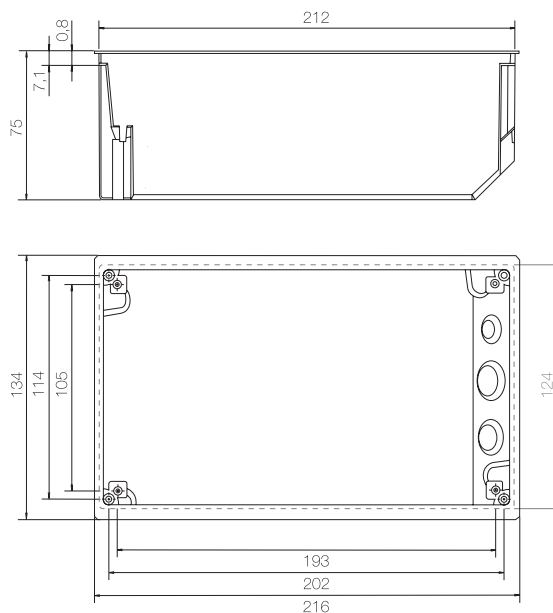
An integrated data logger makes it possible to record the received data (minimum, maximum or mean average value of a time interval) in different formats and to present it over a defined acquisition period. Hence, the daily temperature average value can be displayed as a curve over a period of one week, for example.

TECHNICAL DETAILS

SCALE DRAWINGS



Master Control with frame



Flush-mounted housing (installable horizontally or vertically)

TECHNICAL DATA

Bus voltage

21–32 V =

Supply voltage

230 V ~, 50/60 Hz

Display

5.7" TFT, illuminated

Resolution

320 x 240/240 x 320 pixels

Colours

4096

Graphics memory

approx. 4 MB (for jpg- and bmp-pictures)

Connections

Bus line

Bus connection terminal

Supply voltage

Screw terminals, up to 2.5 mm²

IP communication

RJ45-jack

Programming/Remote-Update

USB 2.0

Protection class

IP 20

Ambient temperature

Operation

-5 to +45 °C

Storage/transport

-25 to +70 °C

Dimensions (W x H x D)

without frame

221 x 141 x 46 mm

with frame

234 x 168 x 46 mm

Total depth, seated on wall

9.2 mm

Hole dimensions for flush-mounted housing

212 x 124 x 75 mm

ACCESSORIES

Frame for Master Control

glass, polar white

7594 01 01

stainless steel

7594 01 03

Housing, flush-mounted for mini tableau

7590 00 21

BERKER – THE RIGHT WAY.

Do you know how you can arrange your home more conveniently to suit your tastes? At Berker we have been working on this since 1919 – and we have found some very interesting answers.

Berker switches and systems are in use all over the world, making life more beautiful, easier and more comfortable. We place the utmost emphasis on quality, design and innovation. This is confirmed by the numerous awards we have received both at home and abroad.

Berker is a leading supplier of high-quality electrical installations – from timelessly classic switch design through to intelligent building management systems. All new developments are created with just one thing in mind: the satisfaction of our customers. After all, we want you to feel at home with our products for decades to come.

Let your life be guided not only by your taste, but also by the latest state of the art, with Berker – the right way.



Berker Switches and Systems

Berker GmbH & Co. KG
Klagebach 38, 58579 Schalksmühle/Germany
Telephone +49 (0) 23 55/9 05-0, Fax +49 (0) 23 55/9 05-112
export@berker.com
www.berker.com

Order no. 0301 69