

KNX/EIB FLUSH-MOUNTED ACTUATORS



PRODUCT INFORMATION

B.

Berker the right way.

SIMPLY · WITHOUT COMPROMISE

KNX/EIB FLUSH-MOUNTED ACTUATORS – A »CLEAN« SOLUTION FOR RETROSPECTIVE INSTALLATION.

Demands on perfect and forward-looking home installation increase with the need for flexibility and comfort. The most important factor is to fulfil these demands in the simplest way possible.

For this reason, BERKER has added flush-mounted actuators to its KNX/EIB product range.

FLEXIBILITY

The flush-mounted actuators are installed in a decentralized position, i.e. close to the consumer, and can therefore be integrated easily into the existing KNX/EIB infrastructure, even retrospectively.

SIMPLICITY

The extremely compact flush-mounted actuators are assembled in flush-mounted switch boxes and are supplied by the bus system, meaning that the only additional mains installation required is between the actuator and consumer (see diagram on the right).

This removes long installation processes from the sub-distribution through to the consumer (a problem with previous REG actuators), while the thermal load is only marginally increased.

COMFORT

All known advantages of bus technology are combined with the targeted upgrading of individual KNX/EIB applications. The flush-mounted actuators have two binary inputs independent of each other, which also enable KNX/EIB functions to be actuated via potential-free contacts. These are directly connected with the actuator outputs during manufacture. This also enables operation without programming or display, such as with conventional buttons/switches (also suitable for testing the wiring on a construction site).



ORDER DATA

Switch actuator 1gang 16A
NO contact, flush-mounted
Order No.: 7534 10 01



Universal Dim actuator 1gang
210 W/VA, flush-mounted
Order No.: 7534 10 03



Shutter actuator 1gang 6 A,
flush-mounted
Order No.: 7534 10 02

Switch actuator 2gang 6A
NO contact, flush-mounted
(Fig. see front page)
Order No.: 7534 20 01

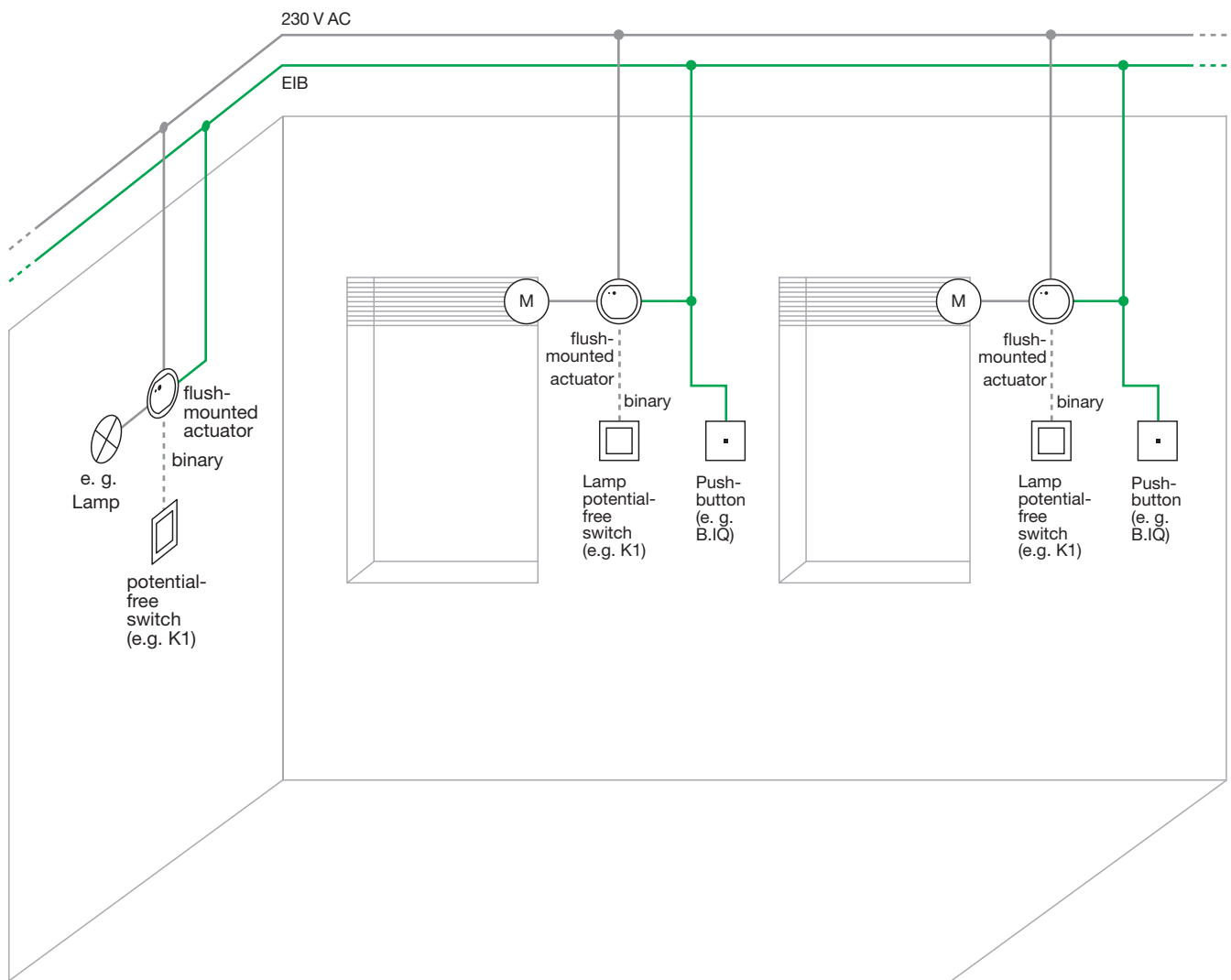
EXAMPLE APPLICATION

Changes in living situations and increased demands on safety and comfort call for new concepts and inspire innovative ideas.

While changes in conventional household technology have long since left their mark and frequently leave the owners stuck in the time when the building work was originally carried out, a targeted update of the KNX/EIB-Installation to include additional functions using the new flush-mounted actuators can be achieved at low cost and with minimum effort.

The possibility of integrating functions such as additional shutter controls or light fittings in the KNX/EIB control (see diagram below) offers unimagined flexibility. The flush-mounted actuators can be installed decentrally, i.e. in close proximity to the consumer.

With the KNX/EIB flush-mounted actuators, Berker is supplying further components to secure to future of intelligent building system technology.



(Diagram: example application)

TECHNICAL APPLICATIONS

GENERAL DATA

Power supply to instabus EIB 21–32 V DC

Control cable YY 6 x 0.6; approx. 33 cm long (binary connections can be extended to max. 5 m)

Ambient temperature 5 to +45 °C

Dimensions Ø 53 mm, 28 mm high

Protection class IP 20, EN 60529

SWITCH ACTUATOR 1GANG 16 A NO CONTACT, FLUSH-MOUNTED

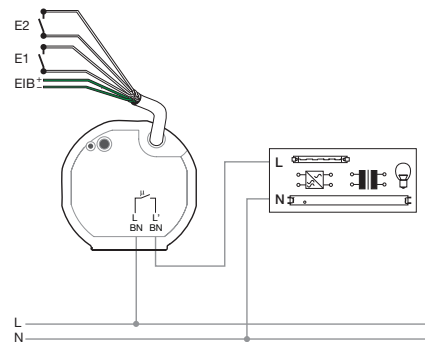
Switching current 16 A at 230 V AC

Switching capacity

- Glow lamps 2500 W
- HV halogen lamps 2200 W
- Capacitive load AC 230 V, 10 A, max. 105 µF
- Conventional transformers 1000 VA
- Tronic transformers 1000 W

Switch-on current 400 A /20 ms

Load cable (pre-made) 2.5 mm², approx. 20 cm long



SWITCH ACTUATOR 2GANG 6 A NO CONTACT FLUSH-MOUNTED

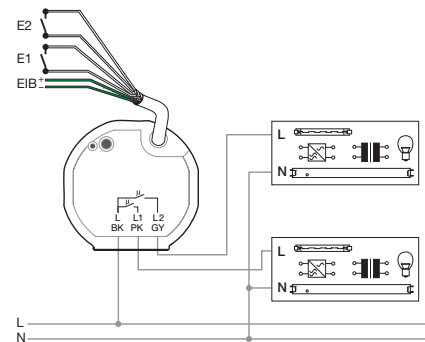
Switching current 2 x 6 A at 230 V AC

Switching capacity

- Glow lamps 1200 W
- HV halogen lamps 1200 W
- Capacitive load AC 230 V, 6 A, max. 14 µF
- Conventional transformers 500 VA
- Tronic transformers 500 W

Switch-on current 120 A /20 ms

Load cable (pre-made) 1.5 mm², approx. 20 cm long



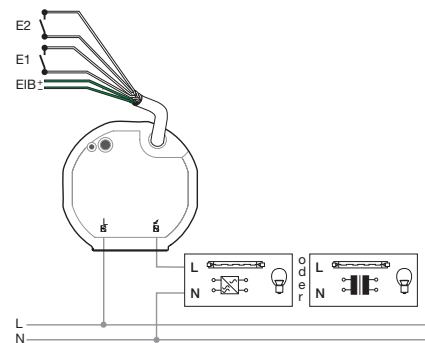
UNIVERSAL DIM ACTUATOR 1GANG 210 W/VA, FLUSH-MOUNTED

Control voltage: 230 V AC, 50/60 Hz

Switching capacity:

- Ohm load 50–210 W
- Glow lamps 50–210 W
- HV halogen lamps 50–210 W
- Conventional transformers 50–210 VA
- Tronic transformers 50–210 W

Load cable (pre-made) 1.5 mm², approx. 20 cm long

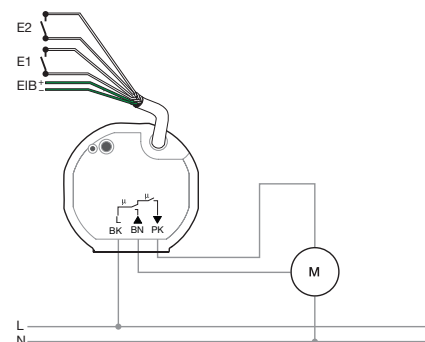


SHUTTER ACTUATOR 1GANG 6 A, FLUSH-MOUNTED

Switching voltage 230 V AC

Switching capacity max. 1 Motor 1000 VA

Load cable (pre-made) 1.5 mm², approx. 20 cm long



IN DETAIL

THE OUTPUT FUNCTIONS

Switch actuator 1gang and 2gang:

- Parameterisation as NO contact or NC contact
- Setting behaviour during bus power failure/restoration
- Setting the on/off delay or electronic timer
- Selecting max. three objects (switching, feedback, additional function)
- Invertibility of the feedback object

Universal dim actuator 1gang

- Switch-on and dimming behaviour can be set via parameters
- Dimming or start-up brightness values
- Delayed switch-off possible when the values fall below a set switch-off brightness
- Short circuit message and load failure report possible
- Blocking function can be activated via an object with programmable brightness value at the start and end of the blocking process
- Behaviour of dim actuator following bus power restoration can be set

Shutter actuator 1gang:

- Setting the switching time on change of direction
- Brightness-dependent adjustment (sun shade)
- Selection of two safety objects with cyclic monitoring
- Setting reaction during power failure/restoration

THE INPUT FUNCTIONS

- Free allocation of the functions: switching, dimming, shutter and value transmitter, each can be set with different parameters
- Blocking individual inputs
- separate parameterisation of the inputs for behaviour during bus power restoration
- Limit the telegram rate

BERKER – THE RIGHT WAY.

Do you know how to design rooms with exceptional ease and with a more individual style?
At Berker we have been working on that since 1919 – and we have found some highly attractive answers.

Berker switches and systems are in use all over the world, making life more beautiful, easier and more comfortable. We place the utmost emphasis on quality, design and innovation. This is confirmed by the numerous awards we have received both at home and abroad.

Berker is a leading supplier of high-quality electrical installations – from timelessly classic switch design through to intelligent building management systems. All new developments are created with just one thing in mind: the satisfaction of our customers. After all, we want you to feel at home with our products for decades to come.

Don't just let your life be guided by taste, but also by state-of-the-art technology,
with Berker - the right way.



Berker GmbH & Co. KG
Klagebach 38, 58579 Schalksmühle/Germany
Telephone + 49 (0) 23 55/9 05-0, Fax + 49 (0) 23 55/9 05-1 12
info@berker.com
www.berker.com

Best.-Nr. 0300 49